

# HITACHI

Job Name:	
Order No.	

## Submittal Data Sheet

RAC-GJ24WHAA / RAK-GJ24PHAA

24000 Btu/hr Wall Mount Heat Pump System



### Efficiency

Cooling		Heating	
SEER2	21.0	HSPF2	11
EER2	13.0	COP	3.7

### Performance

#### Cooling (Btu/hr)

Rated(Min/Max)	22000(8000/26000)
Sensible@AHRI	22000
Operating Range	-0.4 ~114.8 (-18 ~ 46)

Indoor: 80°F DB/67°F WB  
Outdoor: 95°F DB/75°F WB

#### Heating (Btu/hr)

1: @ 47° Rated (Min/Max )	25200(7800/29500)
2: @ 17° Rated	17500
3: @ 5° Max: Capacity / COP	24700/1.8
Operating Range	-13 ~75.2 (-25~24.0)

- 1: Rated Heating Conditions:** Indoor: 70°F DB/60°F WB  
Outdoor: 47°F DB/43°F WB
- 2: Rated Heating Conditions:** Indoor: 70°F DB/60°F WB  
Outdoor: 17°F DB/15°F WB
- 3: Heating Conditions; Compressor Operating at Max Frequency:** Indoor: 70°F DB/60°F WB  
Outdoor: 5°F DB/5°F WB

### Electrical

	208/60/1	230/60/1
System MCA	20	20
System MFA	25	25
Compressor RLA	7.4	7.4
Outdoor fan motor FLA	8.8	8.8
Outdoor fan motor W	120	120
Indoor fan motor FLA	0.7	0.7
Indoor fan motor W	38	38

**MFA:** Max. fuse amps **MCA:** Min. circuit amps (A) **FLA:** Full load amps (A)  
**RLA:** Rated load amps (A) **W:** Fan motor rated output (W)

### Piping

Liquid (in)	1/4
Gas (in)	5/8
Drain (in)	5/8
Max. Interunit Piping Length (ft)	98
Max. Interunit Height Difference (ft)	66
Chargeless (ft)	49
Additional Charge of Refrigerant (oz/ft)	0.24

### Indoor Specifications

Airflow Rate (cfm)	Cooling		Heating	
	Hi2	Hi	Hi2	Hi
	600	580	700	700
	M	L	M	L
	500	400	580	450
Sound (dBA)	52		52	
Dimensions (W x H x D) (in)	43.3 X 11.8 X 10.2			
Airflow Inlet (H x W) (in)	4.4 X 36.8			
Weight (Lbs)	33.1			

### Outdoor Specifications

Compressor	GTD186RKQA8JT8		
Refrigerant	R32		
Factory Charge Lbs (kg)	4.12 (1.87)		
Refrigerant Oil	ACS-68R(770±20ml)		
Airflow Rate (cfm)	Cooling	Heating	
	2555	2555	
Sound Pressure Level (dBA)	54		
Dimensions (W x H x D) (in)	37.2 X 37.4 X 14.6		
Weight (Lbs)	163		

Recommended cable between Outdoor and Indoor 14AWG - 18AWG 4 conductors stranded copper wire and Power wiring cable size must comply with applicable national and local codes.

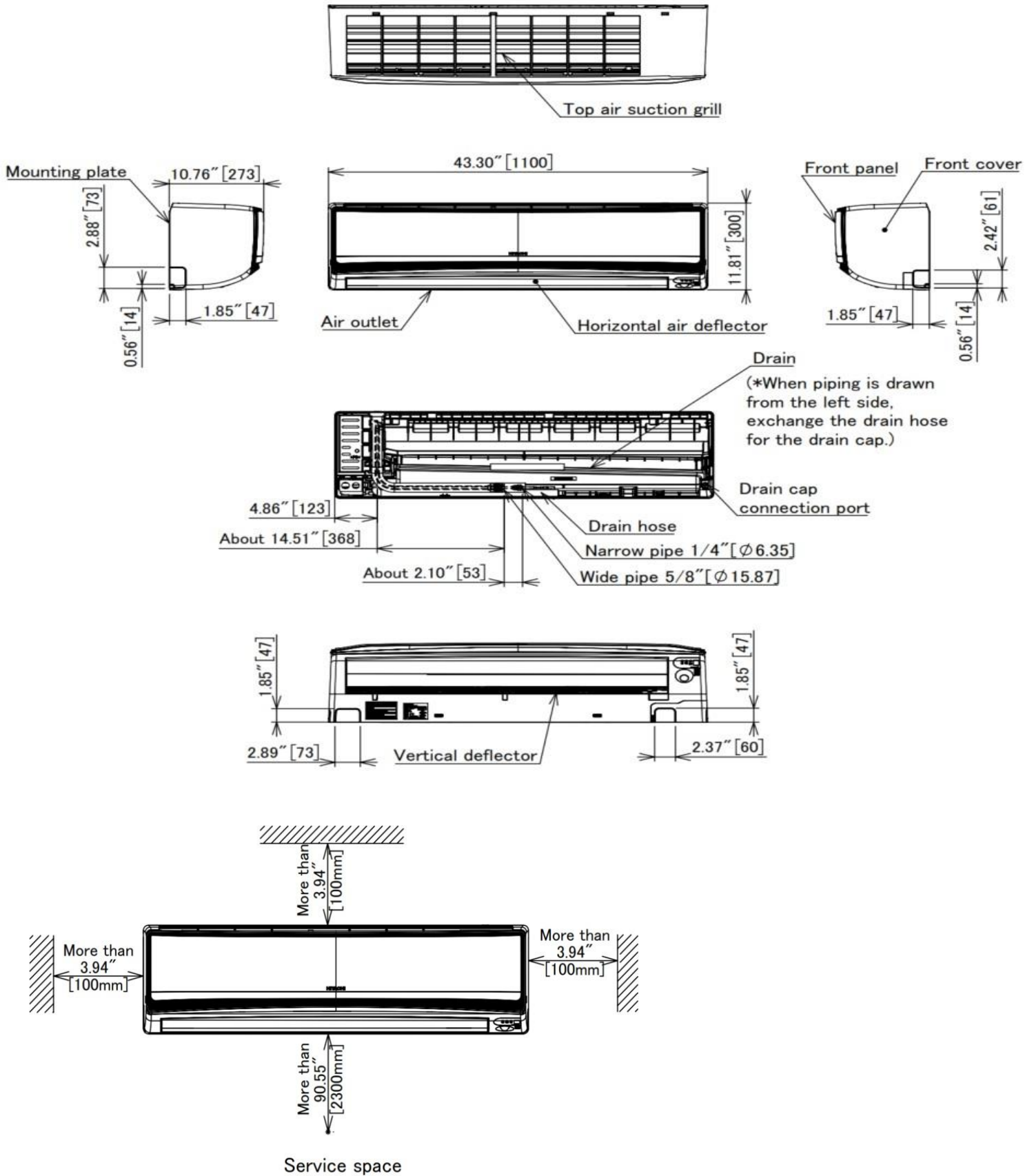
# Optional Accessories

Description	Part Number
Remote Controller (Included) – N2	PMK-GJ09PHAAR04
Remote Control Support (Included)	PMK-DJ09PHAAR06
Remote Controller French – N4	PMK-GJ09PHAAR94
Wired Controller	SPX-URFG1
16.4 ft (5m) wire cable for SPX-URFG1	SPX-WKT5M
Wi-Fi Adapter (Included)	SPX-WFA03
H-Link Adapter IDU	PSC-6RAD
Adapter for Wired Remote Group Controller	SPX-DST1
26.2 ft (8m) Wire Cable for Distributor SPX-DST1	SPX-WDST8M
Dry Contact	SPX-WDC3
ON/OFF Status and Alarm Signal	SPX-WDC8
Mini Aqua Univolt 100V – 250V	DPWM-83819
Condenser Stand	DL87743
Condenser Wall Bracket	DL87733
5-Wire Thermostat / Wi-Fi / BACnet/Modbus Adapter	C1STAT01

# Dimensional Data

INDOOR UNIT

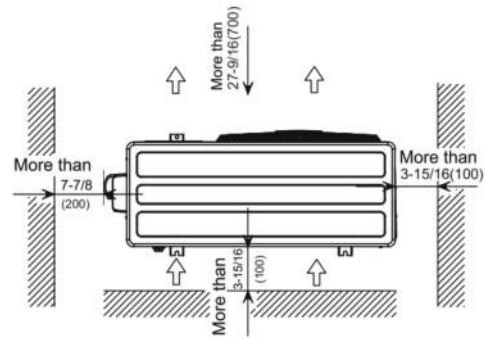
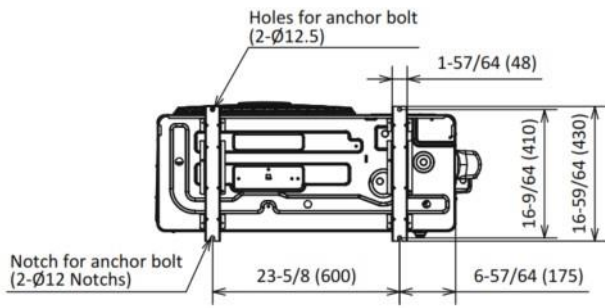
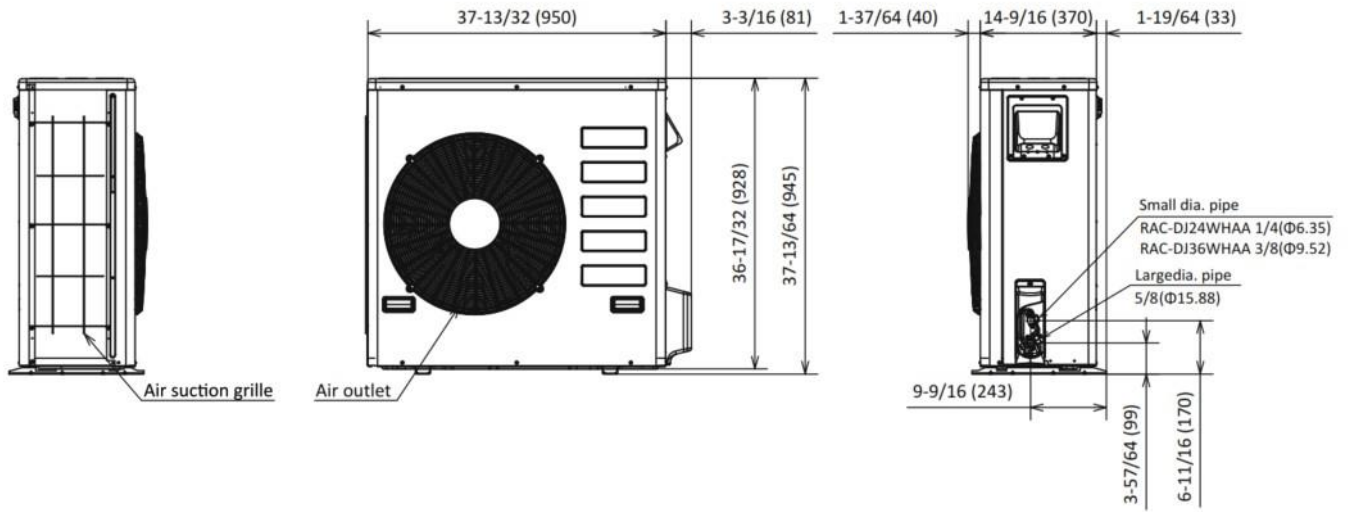
Unit: Inch (mm)



# Dimensional Data

OUTDOOR UNIT

Unit: Inch (mm)



Service space